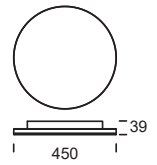
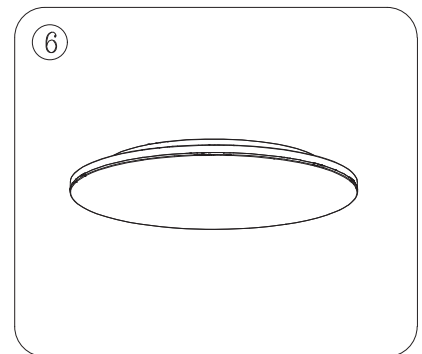
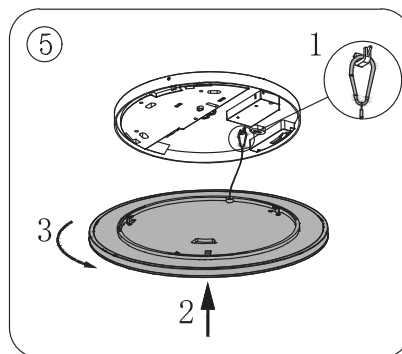
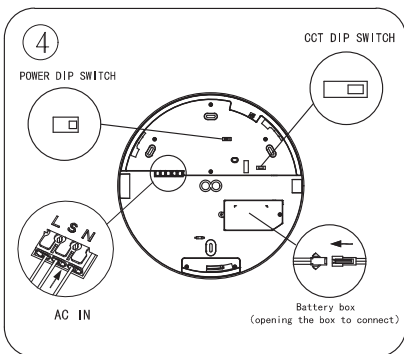
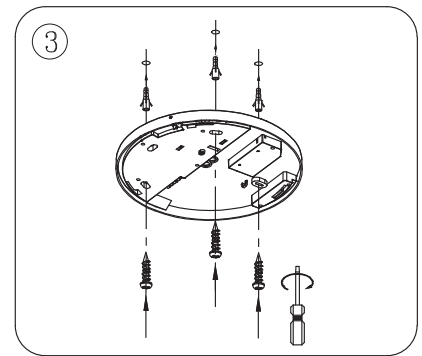
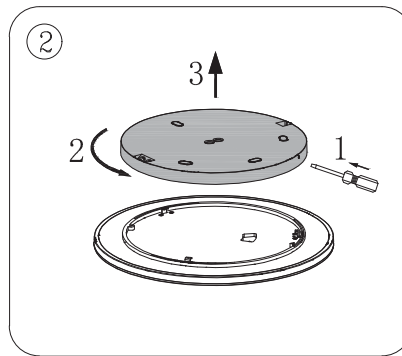
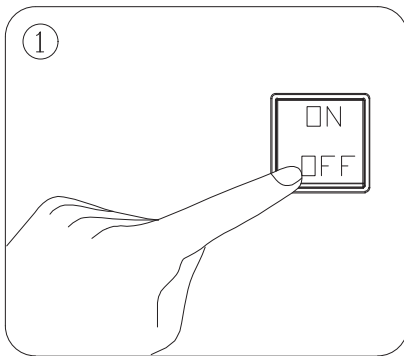



RoHS
CE
IP20


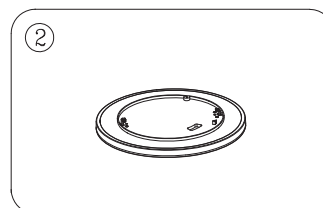
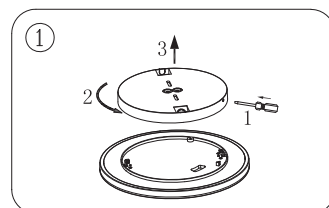
Model	Voltage	Current	DF	Wattage	Luminous Flux	ta(°C)
Shine IV EMLI	220-240V~	0.150/0.105/0.085A	0.9	32W/24W/18W	3000/2300/1800LM(Warm White) 3000/2300/1800LM(Neutral White) 3000/2300/1800LM(Cool White)	40

Suitable Version: With Or Without Color Temperature Selectable Function.
 Color Temperature: Warm White:2700k-3200k Neutral White:3800k-4200k Cool White:6000k-6600k;

Installation instruction



Light source disassembly instruction



- Always follow this instruction to ensure correct and safe installation and functioning of the luminaire and keep it for future reference.
 - Always isolate the power before commencing installation.
 - If in doubt, consult a qualified electrician. Ensure that you always install the luminaire to the relevant regulations.
 - The light source contained in this luminaire shall only be replaced by the manufacturer or his service agent or a similar qualified person.
- MANUFACTURER DOES NOT TAKE ANY RISKS AND RESPONSIBILITIES ARISING FROM NON-STANDARD OPERATION.

Correct Disposal of this product	
	This marking indicates that this product should not be disposed with other household wastes throughout the EU. To prevent possible harm to the environment or human health from uncontrolled waste disposal, recycle it responsibly to promote the sustainable reuse of material resources. To return your used device, please use the return and collection systems or contact the retailer where the product was purchased. They can take this product for environmental safe recycling.

Reminder

**For safety reason during the transportation and storage, the battery is disconnected.
 Please connect the battery before further installation.**